

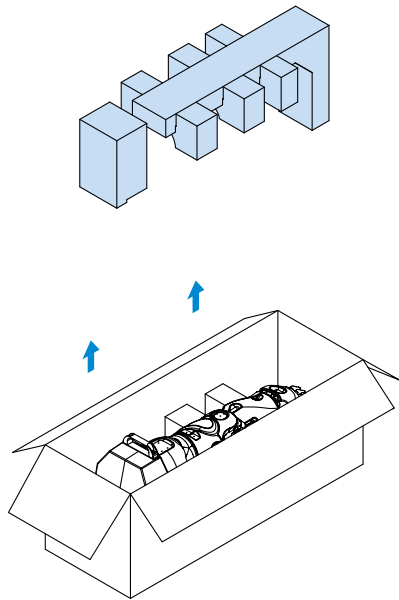
# Promobot Rooky

[promo-bot.ai](https://promo-bot.ai)

Getting started

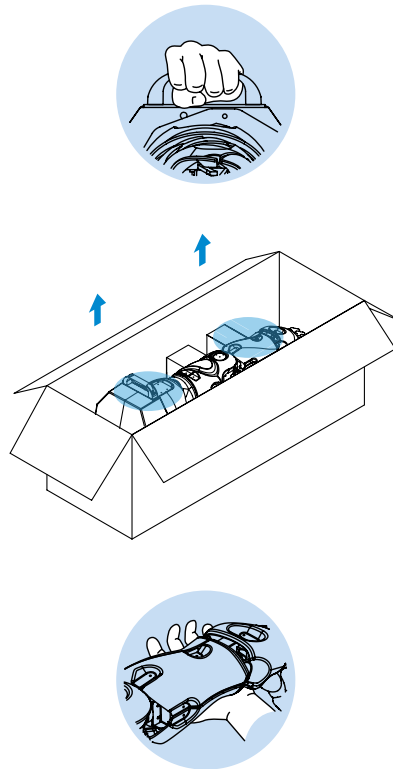
1

Remove the upper part of the polyethylene foam logement.



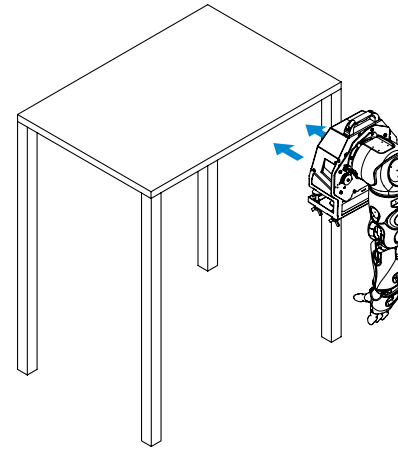
2

Carefully take the robotic arm out of the polyethylene foam logement holding by the highlighted positions.



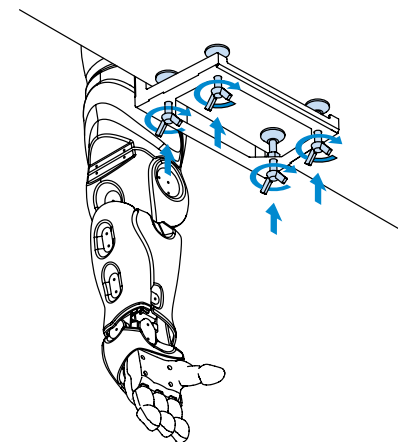
3

Mount the bracket on the tabletop.



4

Fasten the bracket to the tabletop.

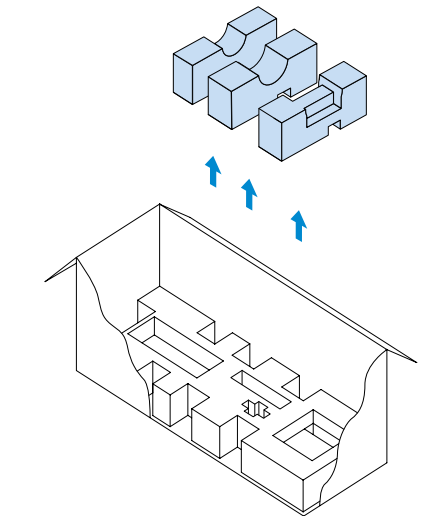


5

Remove a plastic bag from the robotic arm.

6

Remove the stand-logement from the packaging.



7

Take out the rest of the equipment from the bottom of the package: emergency stop button, interface conversion block, power supply and cables.



**Warning!** Before unpackaging the robotic arm, pay attention to its weight (~10 kg)

Use the QR code to read  
the User Manual



**PROMOBOT LLC**

Rm 6, bldg 111A, Shosse Kosmonavtov St.,  
Perm, 614066, Russian Federation  
+7 (800) 551-65-48  
info@promo-bot.ai  
promo-bot.ai